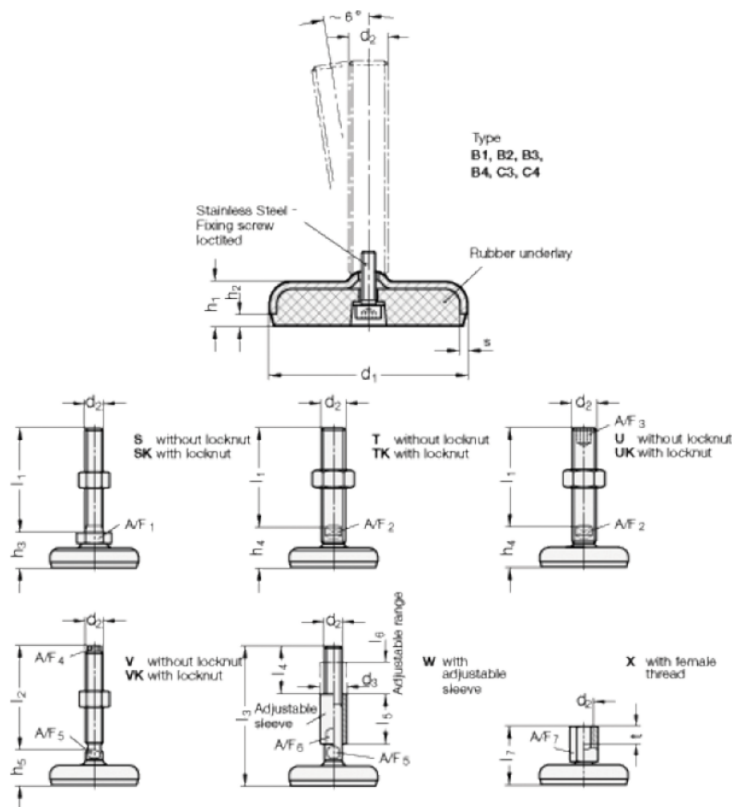


Article number: 2031100M20200B3U

Description: E+G levelling foot  
GN 31-100-M20-200-B3-U

Note: U Without nut, Hexagon socket at the top, Wrench flat at the bottom

## Measures



A/F2	= 15	s = 3
A/F3	= 10	
d1	= 100	
d2	= 20	
h1	= 20	
h2	= 6	
h4 +4.0/0	= 35	
l1	= 200	